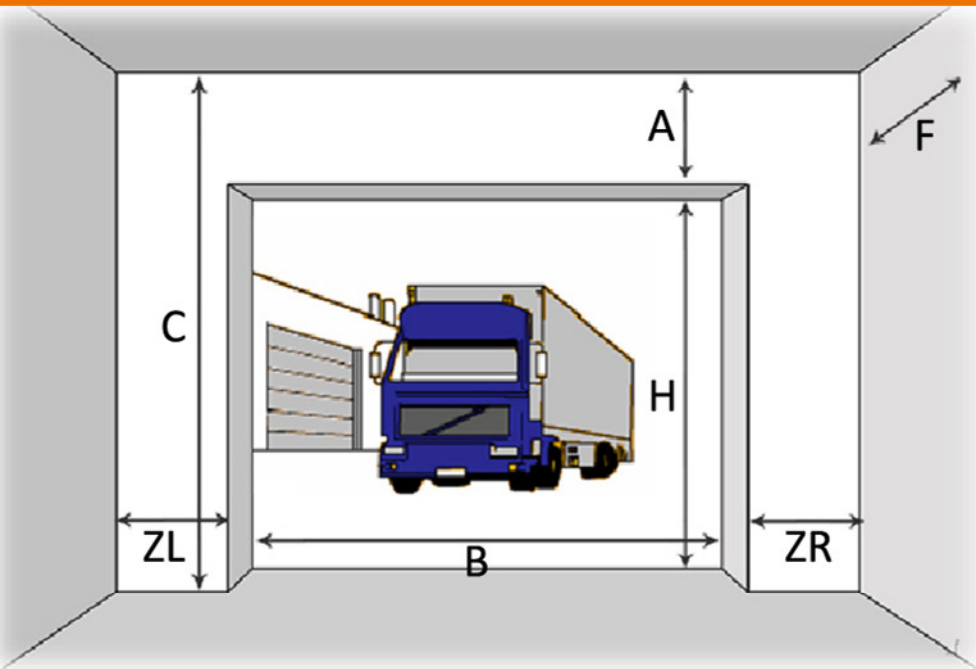
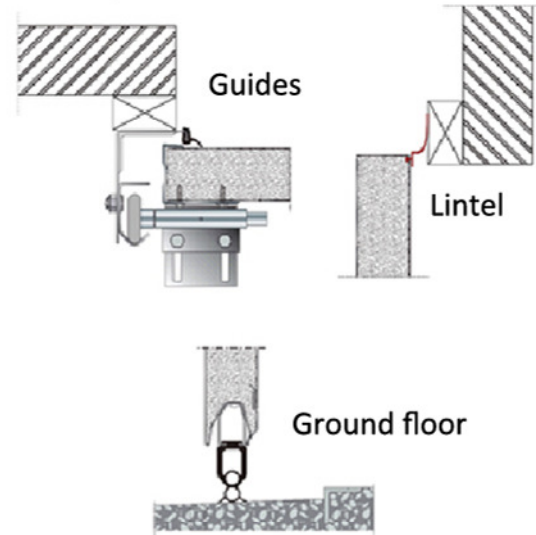


*Interior view of the door opening

Project:			
Construction Address:			
Construction Chief:			
Door:			
Roof Height:	A=	mm	
Door Width:	B=	mm	
Depth:	F=	mm	
Door Height:	H=	mm	
High Lift:	HL=	mm	
Sideroom required:	ZR=	mm	ZL= mm
If spring package on the front:	X=	mm	Y= mm
Motor Direction:	Interior view of the door:	Right: <input type="checkbox"/>	Left: <input type="checkbox"/>

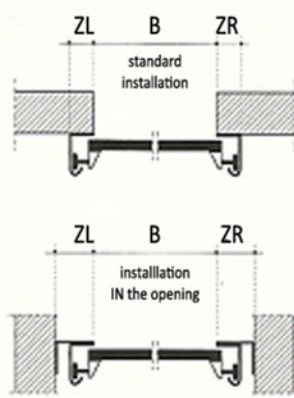


Montage Details



Abbreviations

- A = headroom
- B = clear opening width
- F = overall depth
- H = clear opening height
- HL = high lift
- ZR/ZL = sideroom required (left and right)
- X = over-all depth S-package
- Y = min. headroom for S-package



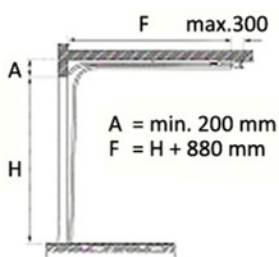
Sideroom required

- track system B45, B45+ ZL/ZR=min. 130 mm
- track system B350, B350+ ZL/ZR=min. 130 mm
- track system B20, B20+ ZL/ZR=min. 170 mm
- track system B550+ ZL/ZR=min. 110 mm

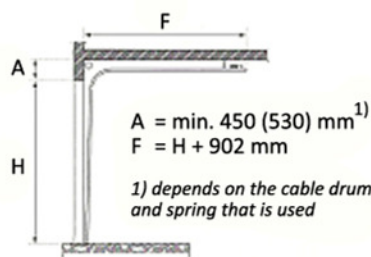
Sideroom driven side

- (left or right)
- chain host ZL/ZR=225 mm*
- electric shaft drive ZL/ZR=366 mm*

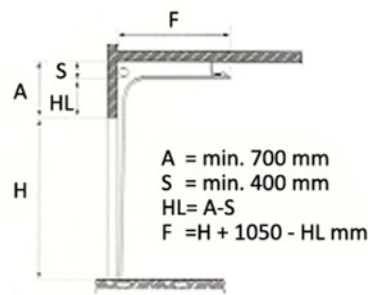
*for B20/B20, 40 mm in addition



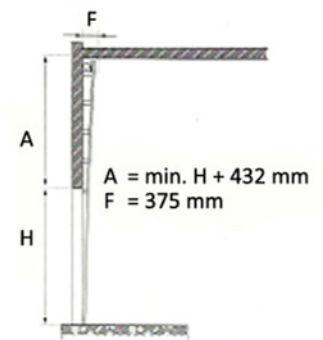
B20, low headroom



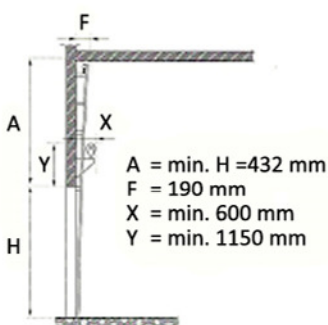
B45, standart lift



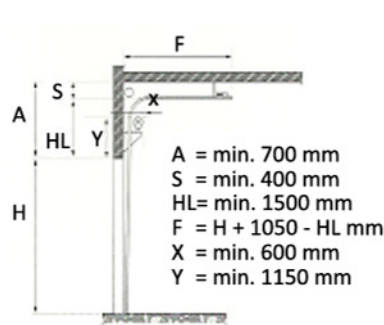
B350, high lift



B550, vertical lift



S-package, B550 vertical lift



S-package, B350 high lift

